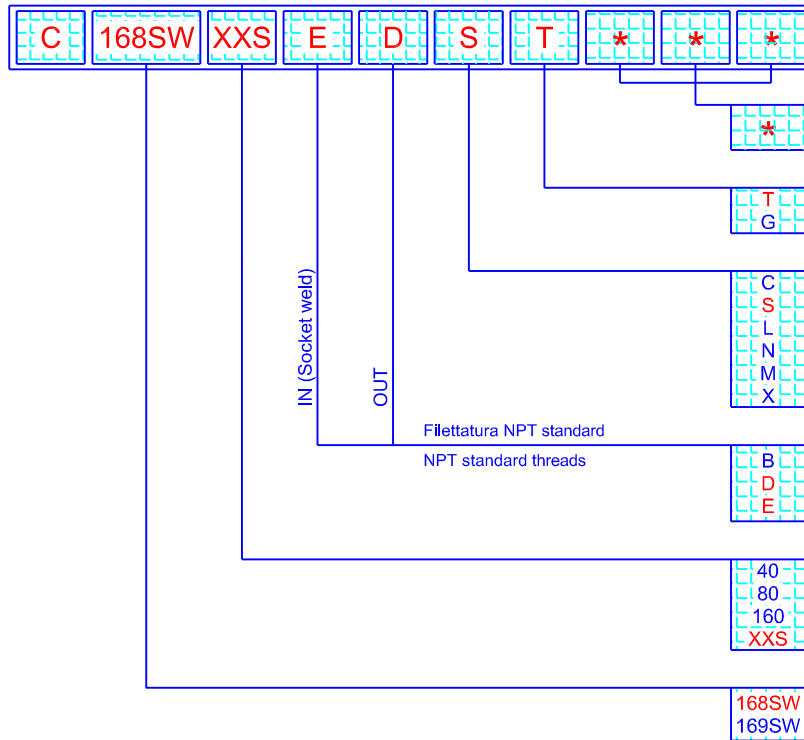


COME ORDINARE / How to order



Opzioni
 vedi tabella

Options
 see table

Materiale tenuta

PTFE
 Grafite

Seal material

PTFE
 Graphite

Materiale corpo

C Acciaio carbonio
 S St.St. 316
 L St.St. 316L
 N St.St. Nace MR.01-75
 M Monel
 X a richiesta

Body material

Carbon Steel
 St.St. 316
 St.St. 316L
 St.St. Nace MR.01-75
 Monel
 on demand

Connessioni IN/OUT

B 1/4" Aggiungere suffisso per :
 D 1/2" G=BSPP R=BSPT
 E 3/4" es.:OUT = DG (1/2"BSPP)

Connections IN/OUT

1/4" Add suffix for :
 1/2" G=BSPP R=BSPT
 3/4" ex.:OUT = DG (1/2"BSPP)

Scheda

40
 80
 160
 XXS

vedi tabella

Schedule

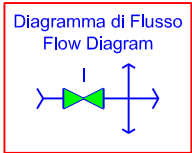
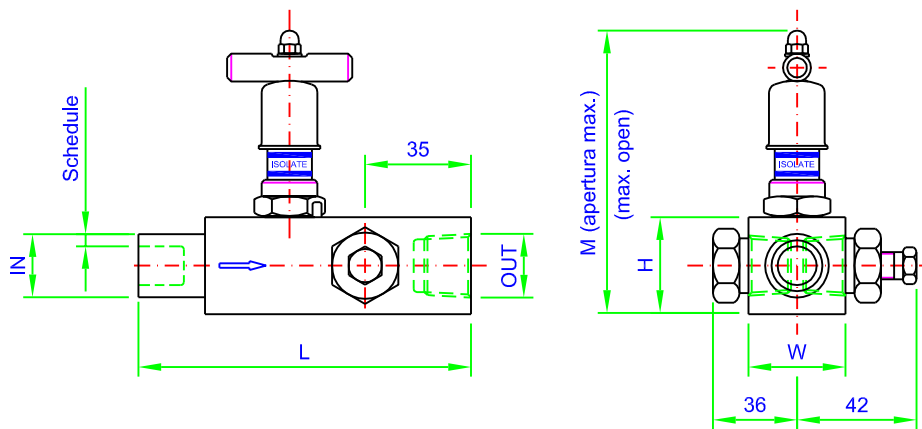
see table

Modello

168SW L=110mm ▲
 169SW L=194mm ▲

Model

L=110mm ▲
 L=194mm ▲



Dimensioni / Dimensions					
Connessioni Connections	IN/OUT	L	W	H	M
BB	1/4"x1/4"	▲	32	32	97
DD	1/2"x1/2"	▲	32	32	97
ED	3/4"x1/2"	▲	32	32	97

Schedule	Spessore / Thickness		
	1/4"SW	1/2"SW	3/4"SW
40	2,24	2,77	2,87
80	3,02	3,73	3,91
160	/	4,78	5,56
XXS	/	7,47	7,82

Connessioni modelli standard-Combinazioni diverse a richiesta
 Model std connections-Others on demand